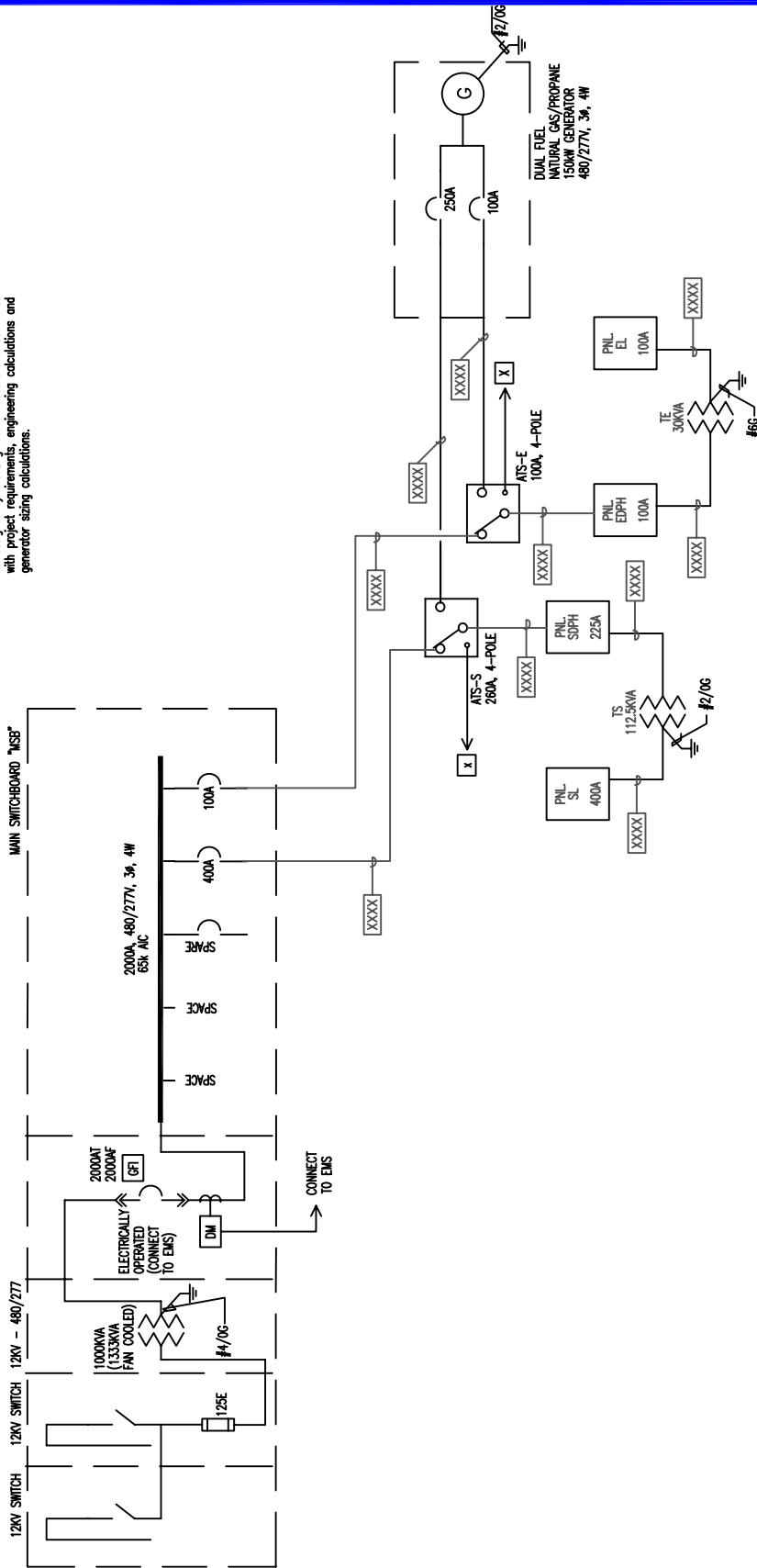


Equipment ratings, conduit and conductor sizing to be designed by the Engineer of Record and confirmed with project requirements, engineering calculations and generator sizing calculations.



UNIVERSITY OF CALIFORNIA

Physical Planning & Construction
SANTA CRUZ, CALIFORNIA

SHEET TITLE

Sample Emergency/Standby
Single Line Diagram Guideline

BUILDING OR PROJECT

CAMPUS STANDARDS

DRAWN

MS

CHECKED

RT

APPROVED

PP&C

LOCATION

SCALE
N.T.S.

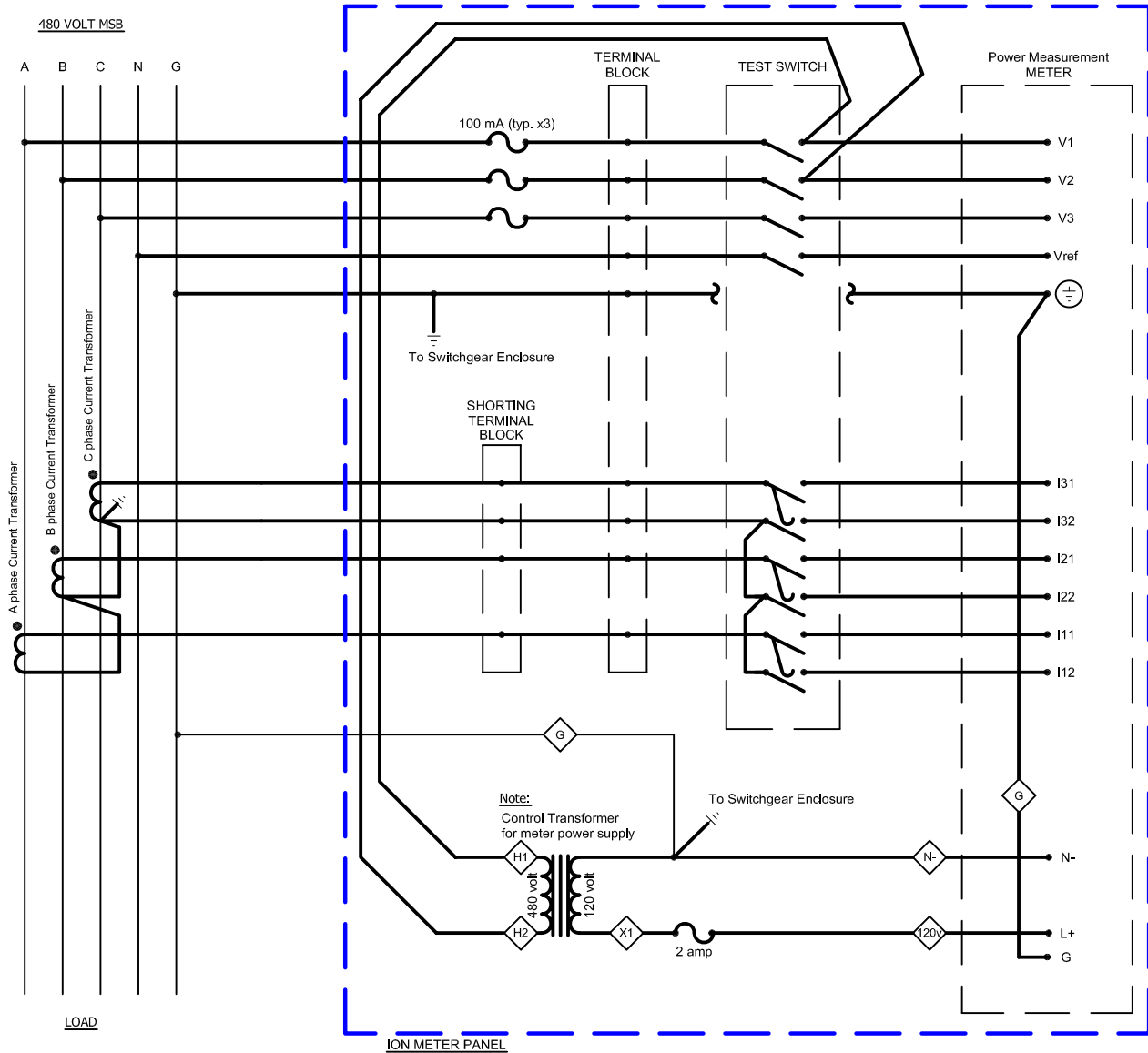
DATE
10/23/07

FILE NO.

SHEET

16.4-00

OF



LEGEND:

- Denotes wire terminal
- ◇— Denotes wire marker
- ⌚— Denotes fuse
- ⏏— Denotes switch
- ⏏— Denotes shunting switch

NOTE:

Wire markers placed at each wire termination.

UNIVERSITY OF CALIFORNIA

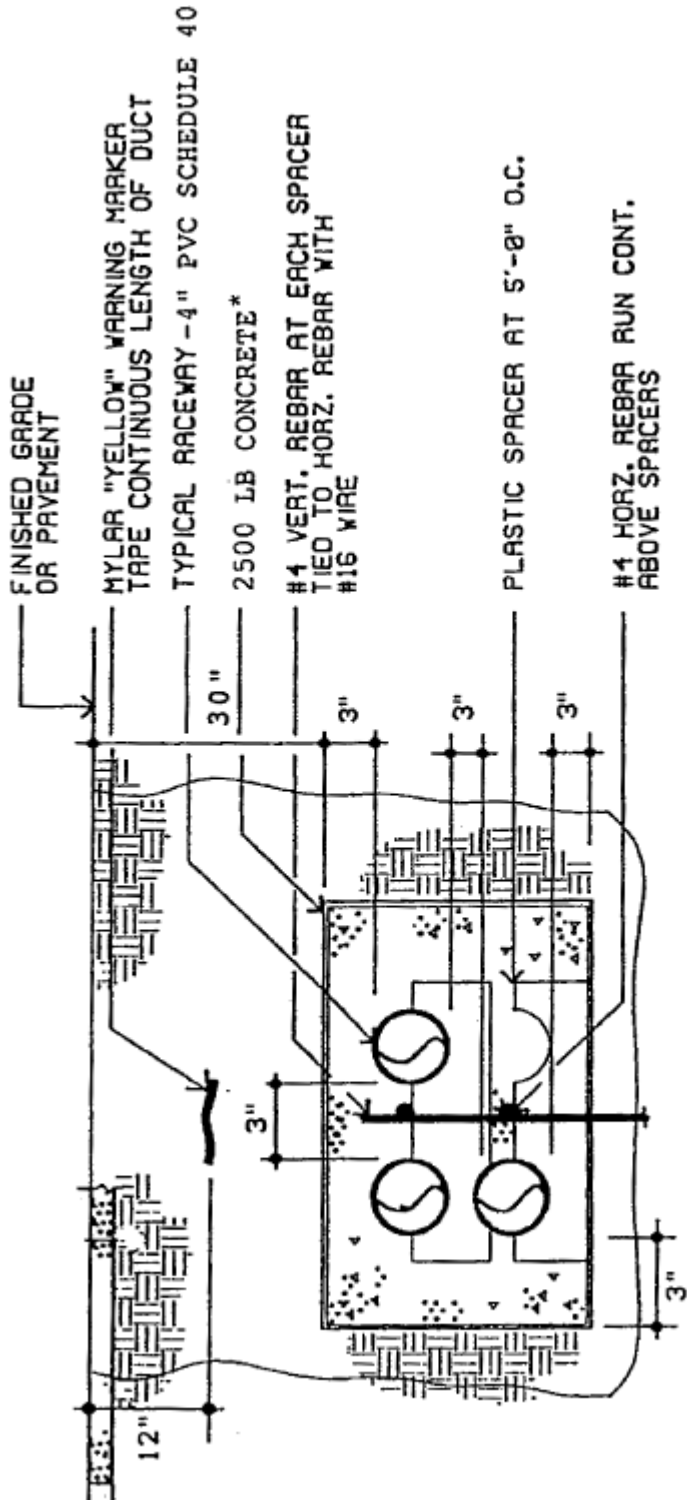
Physical Planning & Construction
SANTA CRUZ, CALIFORNIA

SHEET TITLE
**SCADA 480V
METER SCHEMATIC**
BUILDING OR PROJECT
CAMPUS STANDARDS

DRAWN
MS
CHECKED
RT
APPROVED
PP&C

LOCATION
VARIOUS BLDG.
SCALE
N.T.S.
DATE
11/09/07

FILE NO.
REF
SHEET
16.4-02
OF



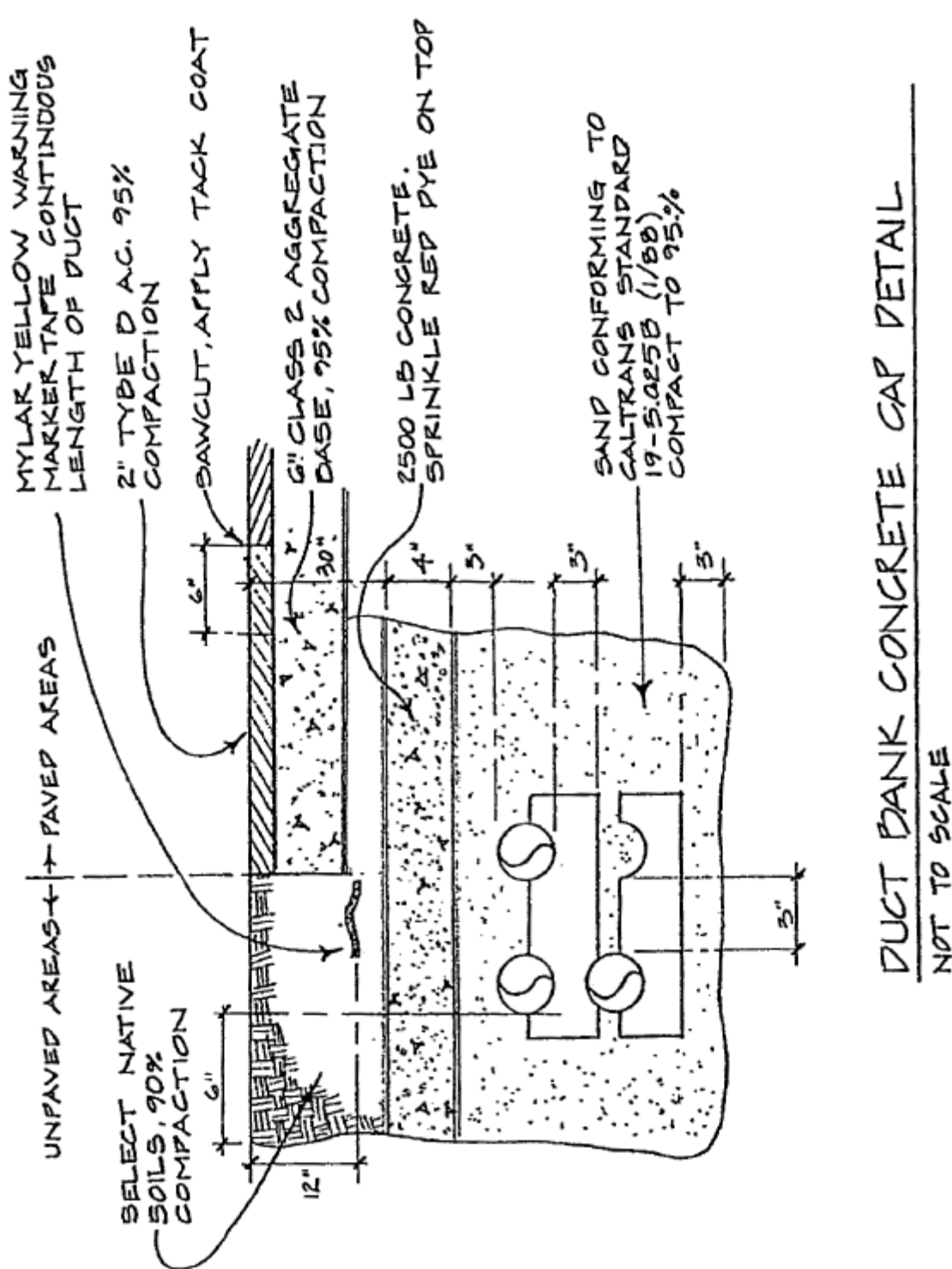
CONDUIT DUCT BANK DETAIL

Not to Scale Duct Quantity Varies

NOTES:

1. SPRINKLE RED DYE ON TOP.
2. PROVIDE 18" SEPARATION BETWEEN POWER AND SIGNAL SERVICES.

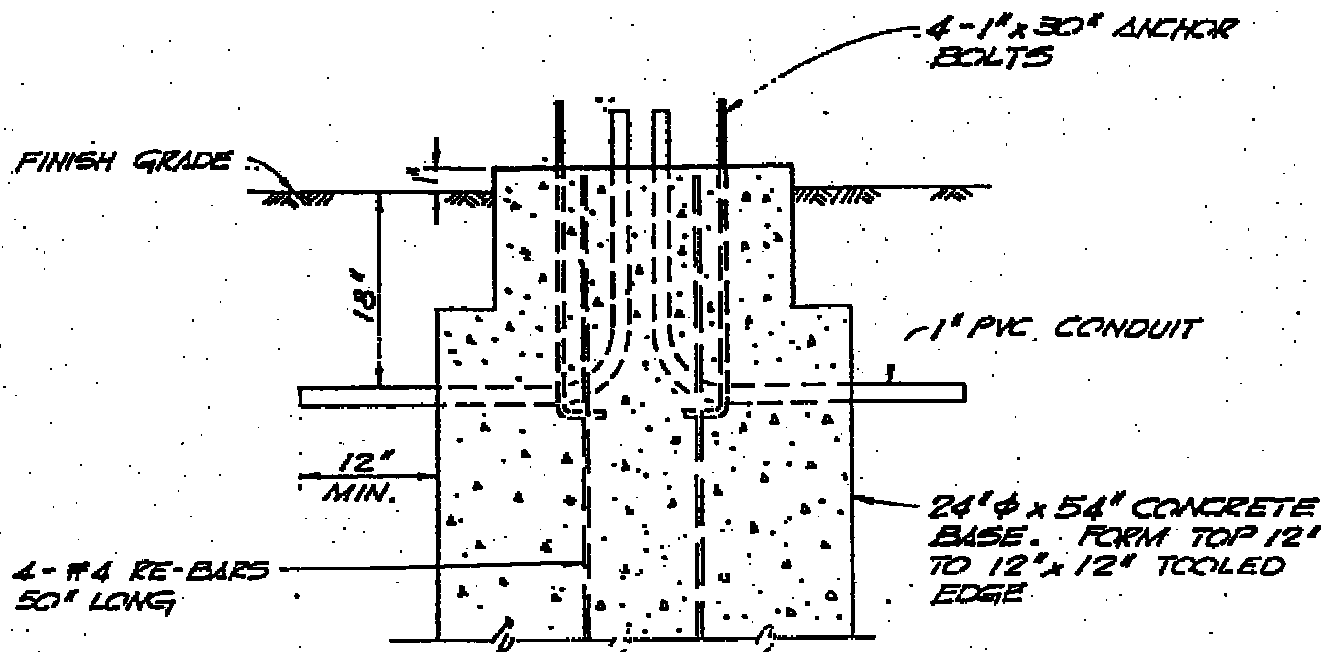
UNIVERSITY OF CALIFORNIA SANTA CRUZ Physical Planning and Construction	SHEET TITLE CONDUIT DUCT BANK - ENCASED	DRAWN SA	LOCATION	FILE NO. REF
	BUILDING OR PROJECT CAMPUS STANDARDS	CHECKED AB	SCALE N.T.S.	SHEET 16.5-05
		APPROVED PP&C	DATE 03/18/93	OF



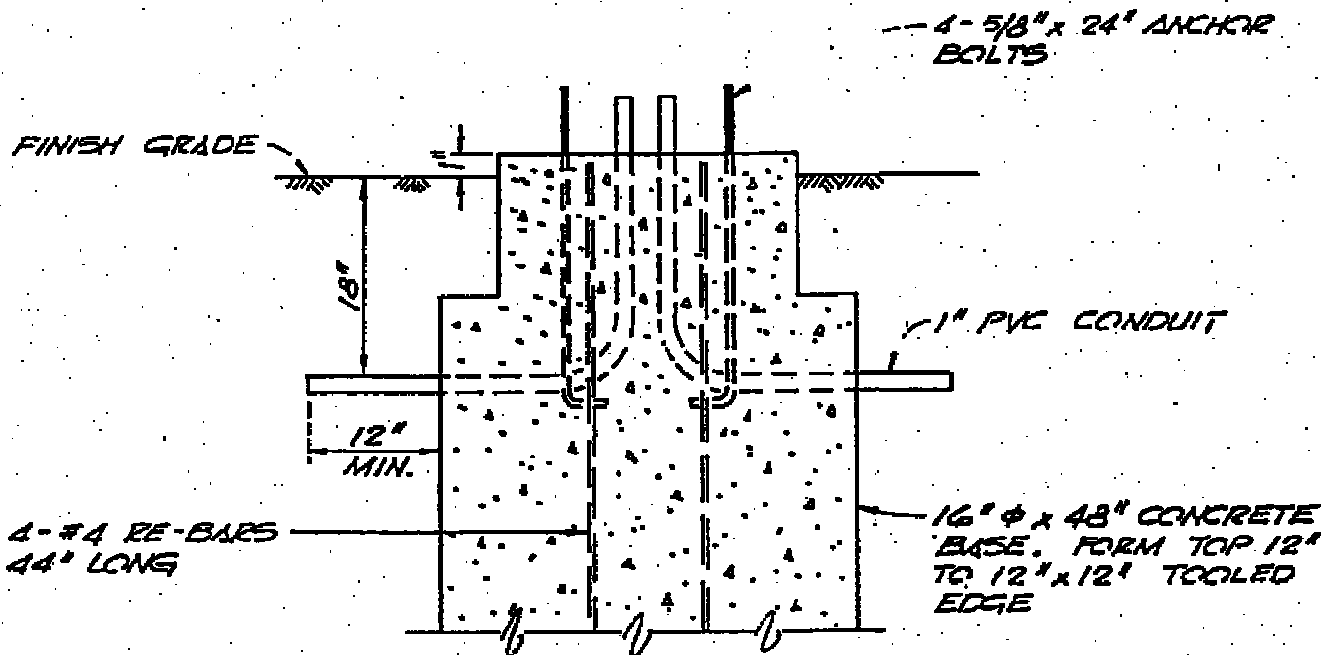
DUCT BANK CONCRETE CAP DETAIL
 NOT TO SCALE

NOTES:
 1. PROVIDE 18" SEPARATION BETWEEN POWER AND SIGNAL SERVICES.

UNIVERSITY OF CALIFORNIA SANTA CRUZ Physical Planning and Construction	SHEET TITLE CONDUIT DUCT BANK - CAPPED	DRAWN SA	LOCATION	FILE NO. REF
	BUILDING OR PROJECT CAMPUS STANDARDS	CHECKED HGH	SCALE N.T.S.	SHEET 16.5-06
		APPROVED PP&C	DATE 03/18/93	OF



STREET LIGHT BASE DETAIL

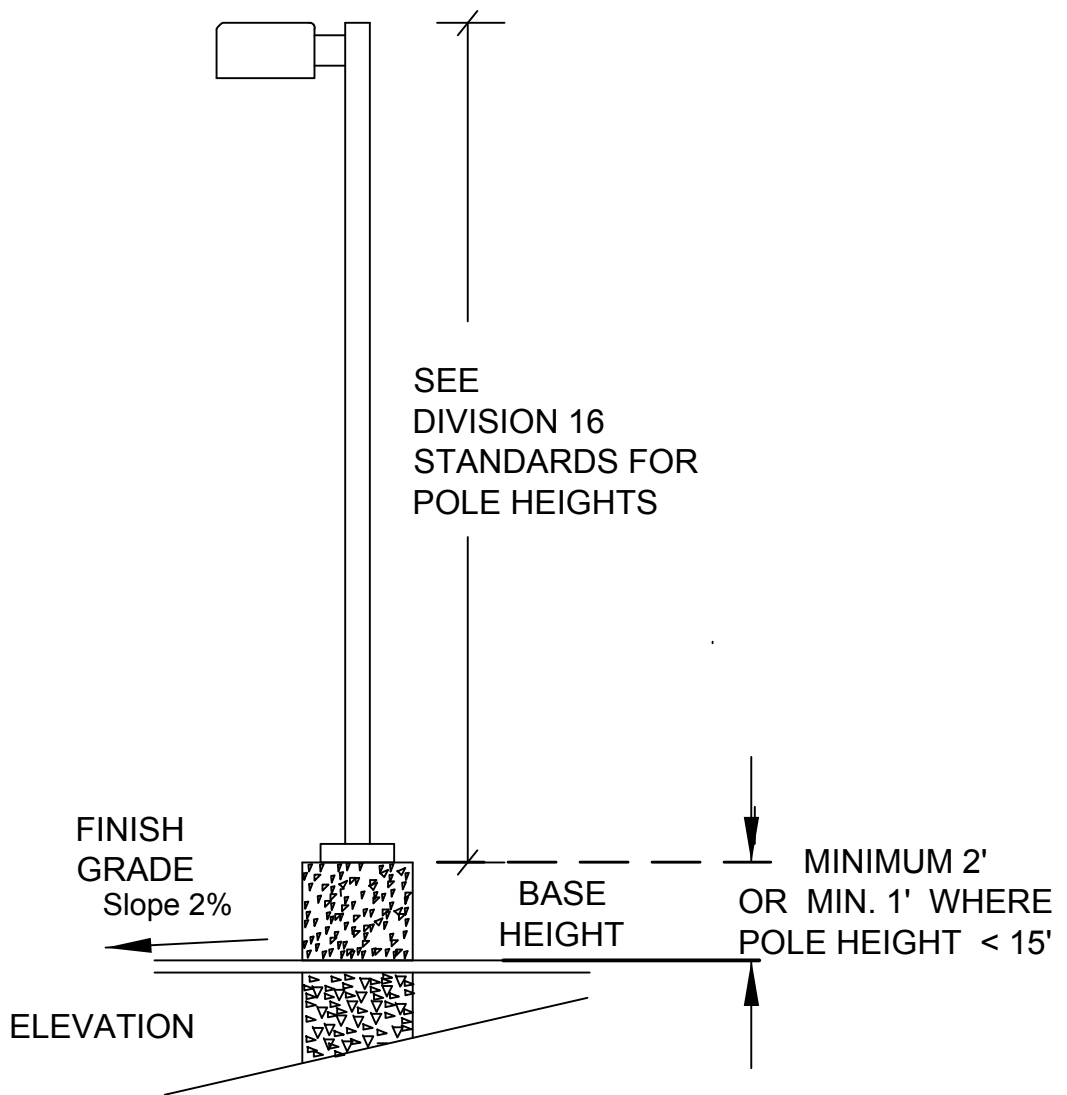


PATH LIGHT BASE DETAIL

NOTES:

1. CONCRETE FOR BOTH BASES SHALL BE 2500 LBS.

UNIVERSITY OF CALIFORNIA SANTA CRUZ Physical Planning and Construction	SHEET TITLE	DRAWN	LOCATION	FILE NO.
	STREET AND PATH LIGHT BASES	RLJ		REF
	BUILDING OR PROJECT	CHECKED	SCALE	SHEET
	CAMPUS STANDARDS	AB	N.T.S.	16.5-31
		APPROVED	DATE	OF
		PP&C	06/01/2004	

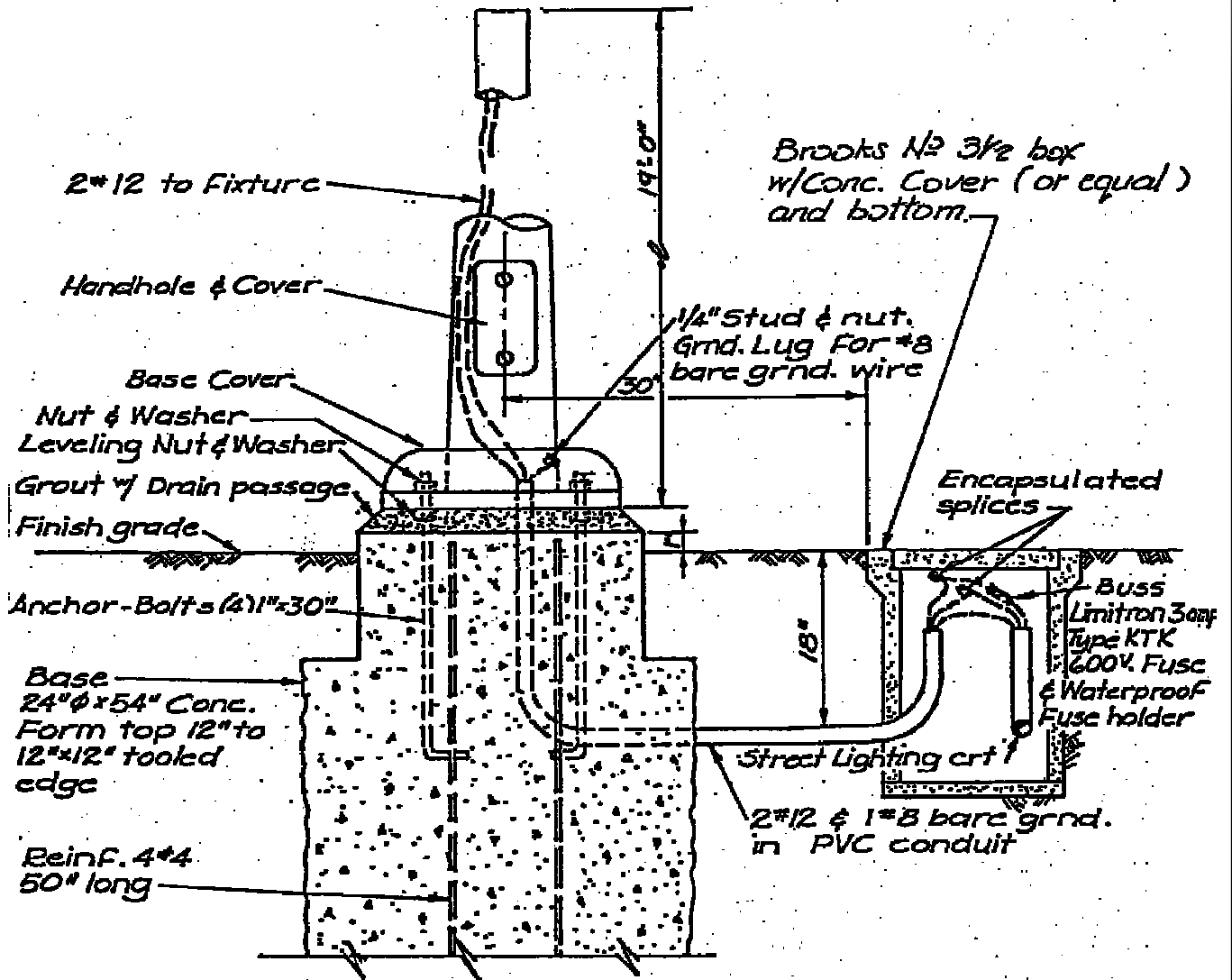


TYPICAL BOX LIGHTING

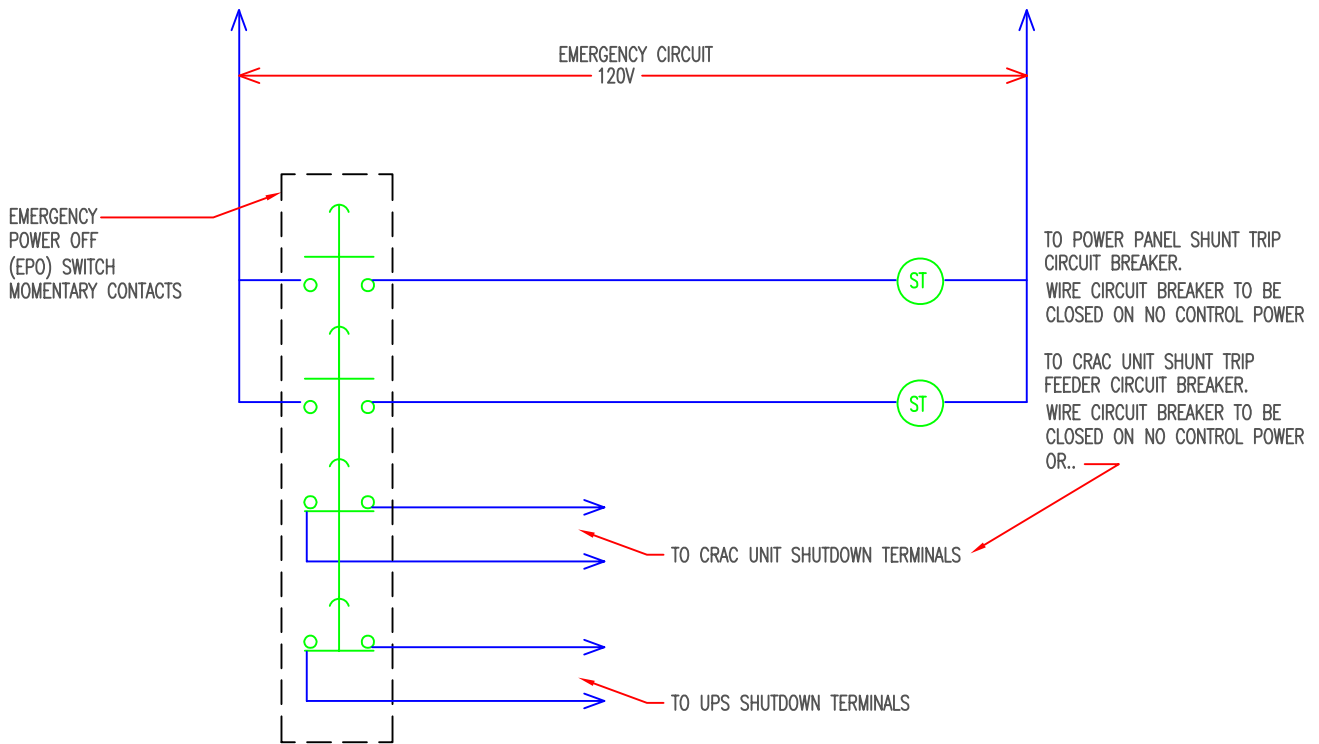
NOTES:

1. INSTALL WHERE APPROVED BY UNIVERSITY REPRESENTATIVE, FOR PREFERRED PATH LIGHTING SEE 16.5-30
2. SEE DETAIL 16.5-31 FOR CONCRETE BASE.
3. SEE DETAIL 16.5.50 FOR ELECTROLIER.
4. FIXTURE TYPE, SEE DIVISION 16 STANDARDS
5. WATTAGE, SEE DIVISION 16 STANDARDS

UNIVERSITY OF CALIFORNIA SANTA CRUZ Physical Planning and Construction	SHEET TITLE TYPICAL BOX LIGHTING	DRAWN JO	LOCATION	FILE NO. REF
	BUILDING OR PROJECT	CHECKED AB	SCALE N.T.S.	SHEET 16.5-32
	CAMPUS STANDARDS	APPROVED PP&C	DATE 04/01/04	OF

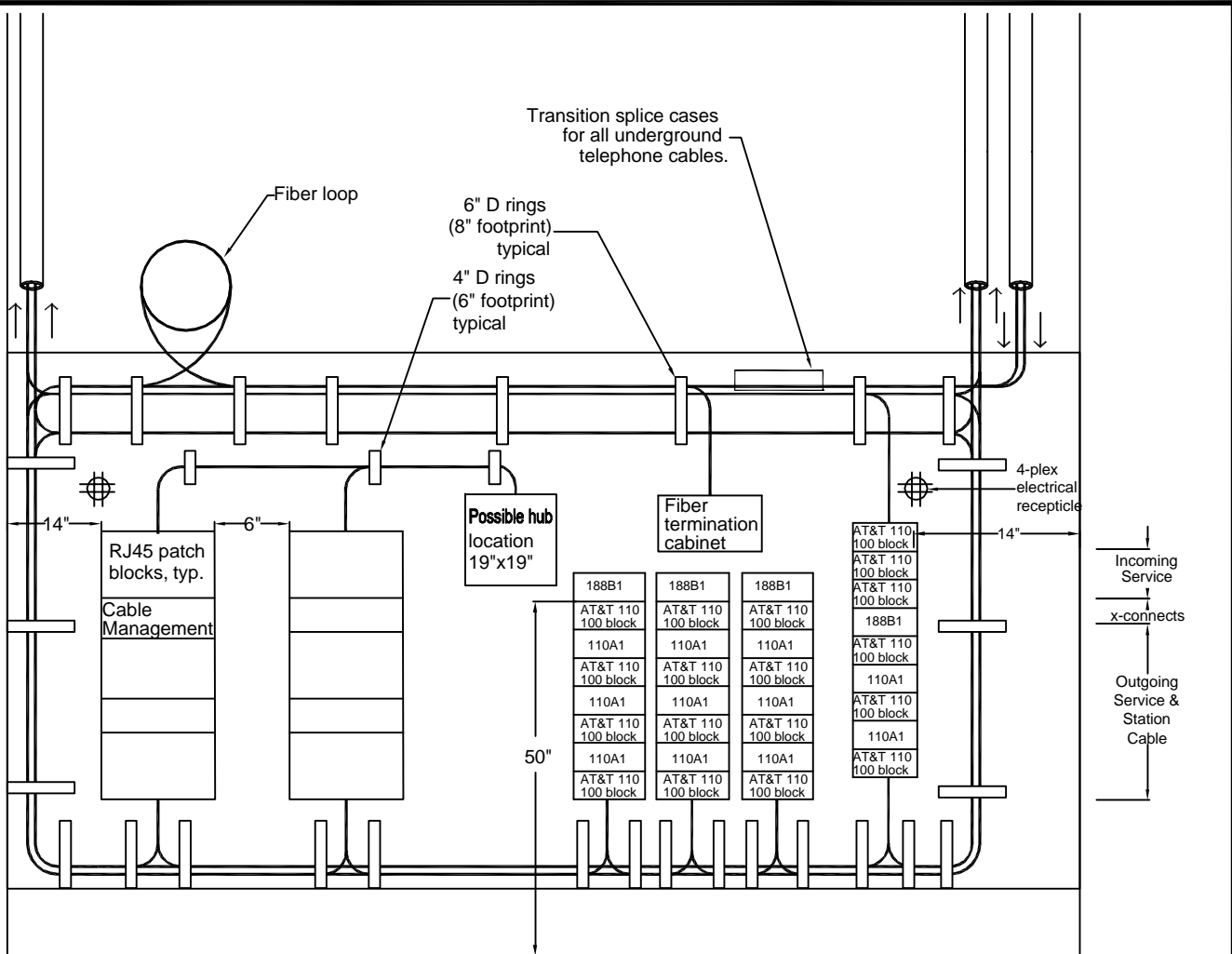


UNIVERSITY OF CALIFORNIA SANTA CRUZ Physical Planning and Construction	SHEET TITLE STREET AND PATH LIGHT ELECTROLIER	DRAWN ENG	LOCATION	FILE NO. REF
	BUILDING OR PROJECT CAMPUS STANDARDS	CHECKED AB	SCALE N.T.S.	SHEET 16.5-50
		APPROVED PP&C	DATE 06/01/2004	OF



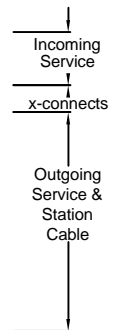
GENERIC COMPUTER MACHINE ROOM EPO SCHEMATIC

UNIVERSITY OF CALIFORNIA Physical Planning & Construction SANTA CRUZ, CALIFORNIA	SHEET TITLE Generic Computer Room EPO Schematic	DRAWN MS	LOCATION	FILE NO.
	BUILDING OR PROJECT	CHECKED RT	SCALE N.T.S.	SHEET
	CAMPUS STANDARDS	APPROVED PP&C	DATE 10/26/2007	16.6-00 OF



← Data section | Voice section →

Equip Block	Equip Block				
X	X	X	X	X	X
Basement & 1st Floor	2nd Floor & 3rd Floor	Basement & 1st Flr	2nd & 3rd Flr	4th & 5th Flr	Energy Control Tie Cable & Voice Riser Cables
Data Station Wire Column	Data Station Wire Column	Voice Station Wire Column	Voice Station Wire Column	Voice Station Wire Column	



UNIVERSITY OF CALIFORNIA
SANTA CRUZ
Physical Planning and Construction

SHEET TITLE
GENERIC BACKBOARD LAYOUT, DATA & VOICE

BUILDING OR PROJECT
CAMPUS STANDARDS

DRAWN
OAC

CHECKED
SA

APPROVED
PP&C

LOCATION

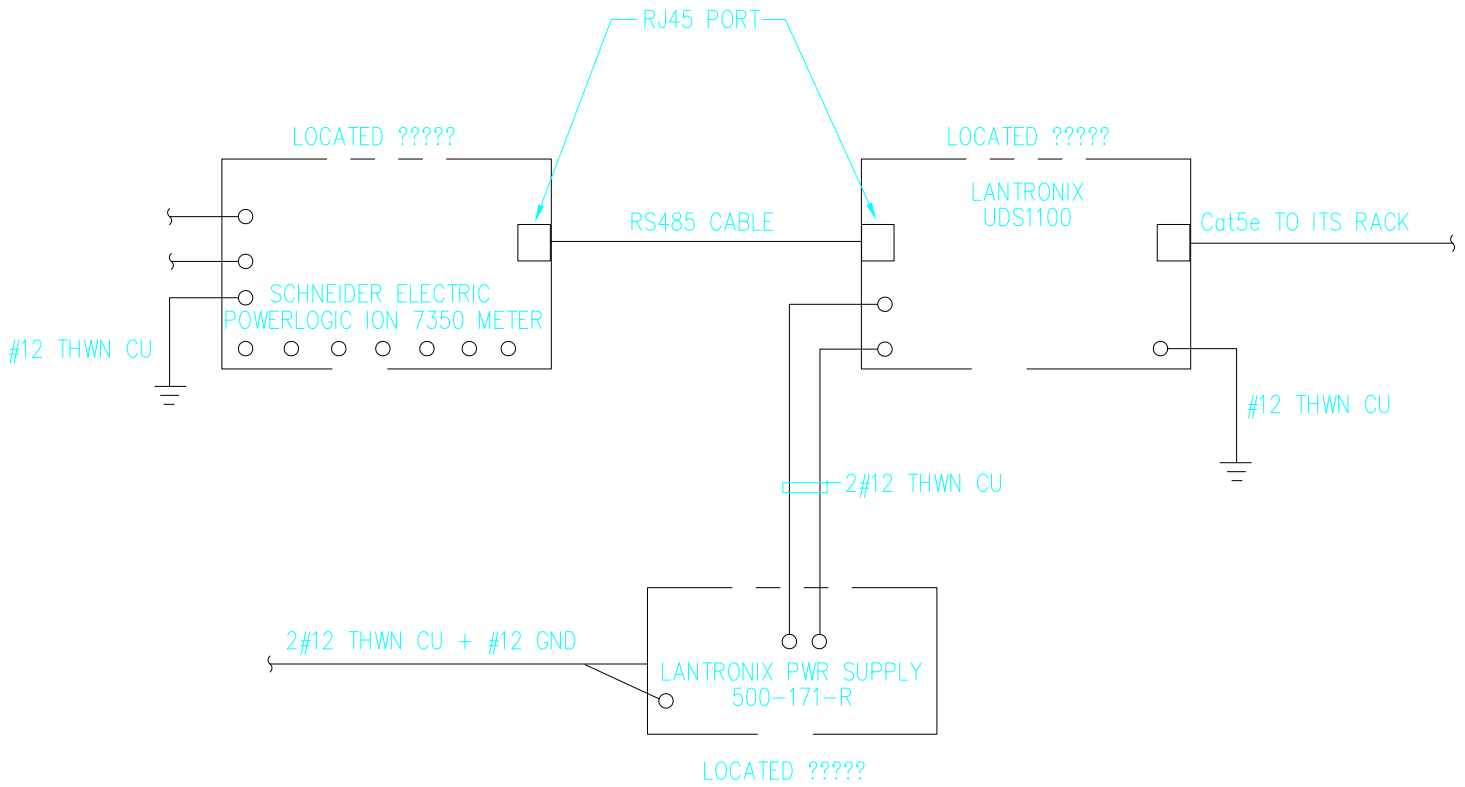
SCALE
N.T.S.

DATE
12/16/97

FILE NO.
REF

SHEET
16.7-00

OF



UNIVERSITY OF CALIFORNIA

SHEET TITLE
SCADA COMMUNICATION DIAGRAM

DRAWN
RLT

UCSC LOCATION
VARIOUS

FILE NO.
SCADA Comm Guideline

CHECKED

SCALE
None

SHEET 1

BUILDING OR PROJECT
CAMPUS GUIDELINE

APPROVED

DATE
03-15-2011

OF 1

Physical Planning & Construction
SANTA CRUZ, CALIFORNIA